



## 200A, Continuous Duty Solenoids

Sold individually

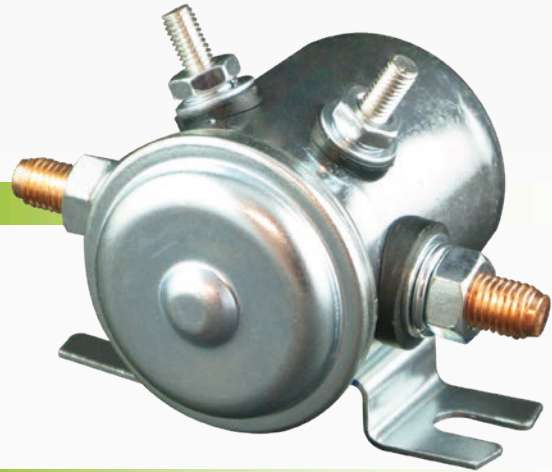
www.qvee.com.au

### DESCRIPTION

200A, Continuous duty solenoids.

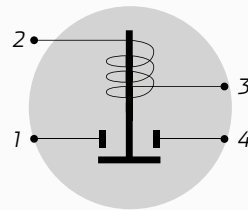
Available in 12 Volt or 24 Volt orientation.  
Features Steel housing with Silver Alloy contacts.

Sold individually.



### FEATURES

- 200 Amp, Continuous duty solenoids
- Available in 12V or 24V
- Up to 600A In-rush current
- Equipped with Steel housing & Silver Alloy contact studs
- 5/16" - 24 contact thread size

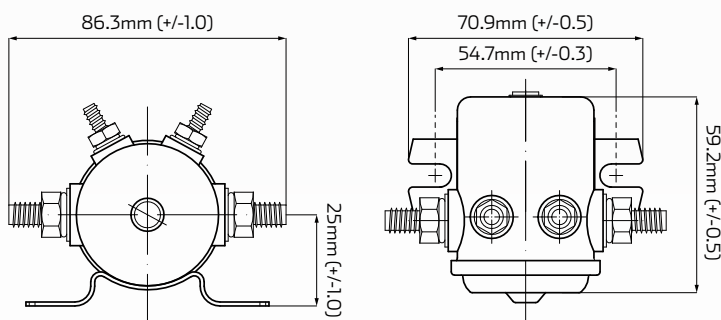


### ELECTRICAL SCHEMATIC

Caution: never unscrew the inner hexnuts on the studs. These keep the stud and inner wiring in place.

### TECHNICAL SPECIFICATIONS

#### DIMENSIONS



|                   |                              |
|-------------------|------------------------------|
| Voltage           | • 12 or 24 Volt DC           |
| Housing Material  | • Steel housing              |
| Stud Material     | • Silver Alloy stud contacts |
| Contact Stud Size | • 5/16" - 24 threads         |
| Coil Stud Size    | • 10 - 32" threads           |
| Dimensions        | • 86.3mm W x 59.2mm L        |

### PART NUMBERS

| Part Number | Voltage   | Current Rated | Current In-Rush | Impedance            | Description   |
|-------------|-----------|---------------|-----------------|----------------------|---|
| QVS12200    | • 12 Volt | • Cont. 200A  | • 600A          | • 15.62 +/- 1.25 Ohm | • 12V, 200A continuous duty solenoid with Copper studs. |
| QVS24200    | • 24 Volt | • Cont. 200A  | • 600A          | • 61.6 +/- 4.93 Ohm  | • 24V, 200A continuous duty solenoid with Copper studs. |