



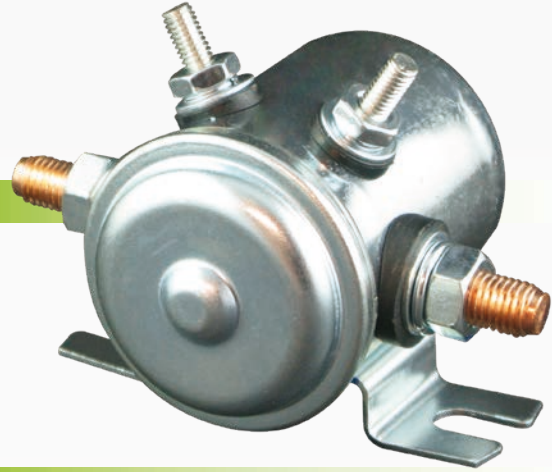
## 100A, Continuous Duty Solenoids

Sold individually

www.qvee.com.au

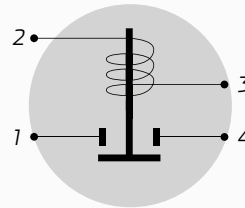
### DESCRIPTION

100A, Continuous duty solenoids.  
Available in 12 Volt or 24 Volt orientation.  
Features Steel housing with Copper contacts.  
Sold individually.



### FEATURES

- 100 Amp, Continuous duty solenoids
- Available in 12V or 24V
- Up to 250A In-rush current
- Equipped with Steel housing & Copper contact studs
- 5/16" - 24 contact thread size

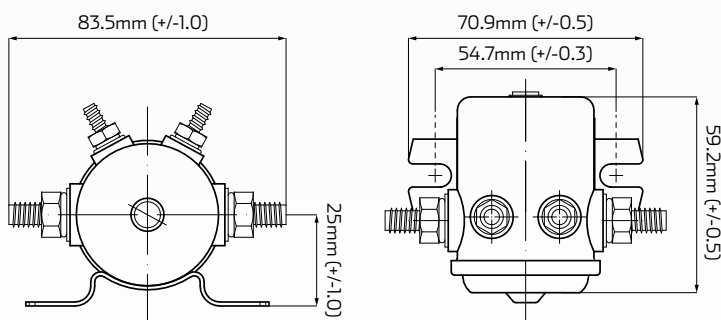


### ELECTRICAL SCHEMATIC

Caution: never unscrew the inner hexnuts on the studs. These keep the stud and inner wiring in place.

### TECHNICAL SPECIFICATIONS

#### DIMENSIONS



<b>Voltage</b>	• 12 or 24 Volt DC
<b>Housing Material</b>	• Steel housing
<b>Stud Material</b>	• Copper stud contacts
<b>Contact Stud Size</b>	• 5/16" - 24 threads
<b>Coil Stud Size</b>	• 10 - 32" threads
<b>Dimensions</b>	• 83.5mm W x 59.2mm L

### PART NUMBERS

Part Number	Voltage	Current Rated	Current In-Rush	Impedance	Description
QVS12100	• 12 Volt	• Cont. 100A	• 250A	• 15.62 +/- 1.25 Ohm	• 12V, 100A continuous duty solenoid with Copper studs.
QVS24100	• 24 Volt	• Cont. 100A	• 250A	• 61.6 +/- 4.93 Ohm	• 24V, 100A continuous duty solenoid with Copper studs.