



200A, Continuous Duty Solenoids

Sold individually

www.qvee.com.au

DESCRIPTION

200A, Continuous duty solenoids.

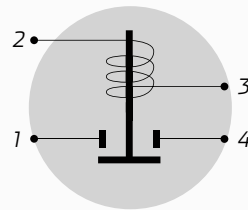
Available in 12 Volt or 24 Volt orientation.
Features Steel housing with Silver Alloy contacts.

Sold individually.



FEATURES

- 200 Amp, Continuous duty solenoids
- Available in 12V or 24V
- Up to 600A In-rush current
- Equipped with Steel housing & Silver Alloy contact studs
- 5/16" - 24 contact thread size

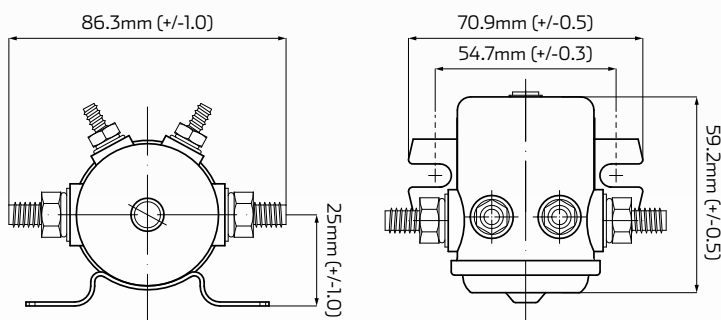


ELECTRICAL SCHEMATIC

Caution: never unscrew the inner hexnuts on the studs. These keep the stud and inner wiring in place.

TECHNICAL SPECIFICATIONS

DIMENSIONS



Voltage	• 12 or 24 Volt DC
Housing Material	• Steel housing
Stud Material	• Silver Alloy stud contacts
Contact Stud Size	• 5/16" - 24 threads
Coil Stud Size	• 10 - 32" threads
Dimensions	• 86.3mm W x 59.2mm L

PART NUMBERS

Part Number	Voltage	Current Rated	Current In-Rush	Impedance	Description
QVS12200	• 12 Volt	• Cont. 200A	• 600A	• 15.62 +/- 1.25 Ohm	• 12V, 200A continuous duty solenoid with Copper studs.
QVS24200	• 24 Volt	• Cont. 200A	• 600A	• 61.6 +/- 4.93 Ohm	• 24V, 200A continuous duty solenoid with Copper studs.