



Small Toyota Style UHF Panel Insert

#QVSWPRUHF - BULK
#QVSWPRUHFB - BLISTER PACK

www.qvee.com.au



DESCRIPTION

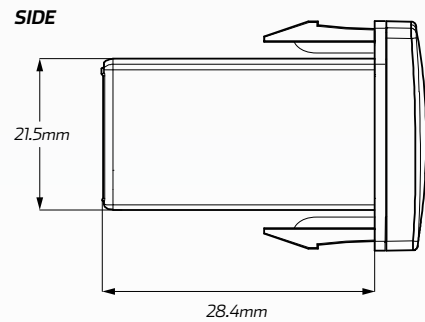
The QVSWPRUHF UHF panel insert are designed as a direct replacement for Toyota Prado.

Comes with Harness, Blue LED illumination and easy installation
Great look for any fit out.

TECHNICAL SPECIFICATIONS

UHF Socket	• RJ45 Connectors (not included)
Voltage Input	• 12V Input
Amperage Rating	• 3 A
LED Current Draw	• Less than 0.25 W
LED Colour	• Blue LED Illumination
Applications	• 4WD's, RV's, ATV's, Cars, Trucks, Agricultural Machinery, Earthmoving Equipment.

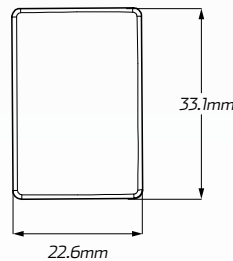
DIMENSIONS



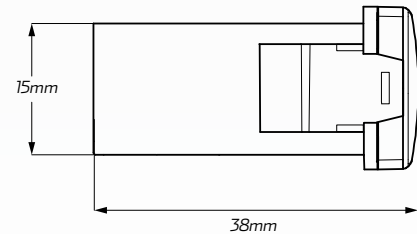
MODEL

- 2016 Hilux
- 2015 - Current Tundra
- 2010 - Current Prado 150
- 2008 - Current 200 Series Landcruiser

FRONT



TOP



WIRING HARNESS

