

## 40W Heavy Duty LED Worklight - Spot Beam

#QVWL40SHD

www.qvee.com.au

### DESCRIPTION

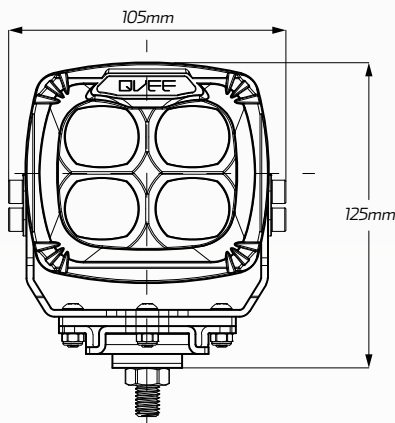
The QVEE 40W heavy duty LED worklight has 4 x 10W Osram P9 LED's, putting out a massive 4,800 lumens.

Heavy duty construction and mounting bracket. Designed for Australia's harsh conditions and suit the serious 4WD enthusiast, Transport, Mining or Agricultural applications.

Fitted with a waterproof DT2 connector and stainless steel fittings.



### DIMENSIONS



VIBRATION RESISTANT

IP69K

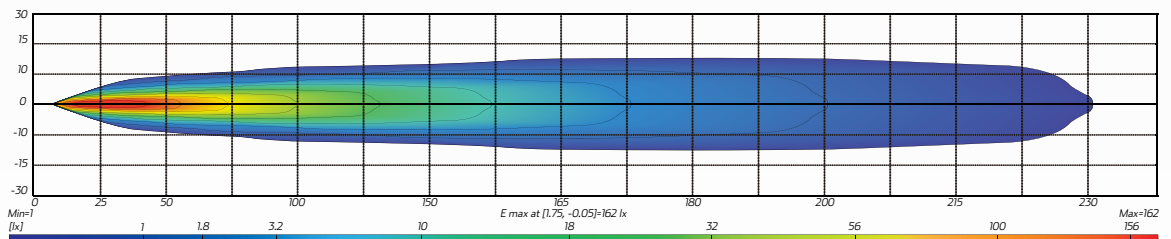
### ACCESSORIES

- Heavy Duty Bracket
- Stainless Steel Fittings
- Connector's Matting Half

SPOT



### BEAM COVERAGE



### TECHNICAL SPECIFICATIONS

<b>Voltage</b>	• 9 - 32 Volt	<b>Beam Coverage</b>	• Flood Beam
<b>Wattage</b>	• 40 Watt	<b>Colour Temperature</b>	• 5,500 K
<b>IP Rating</b>	• IP69K Rated	<b>Lens Material</b>	• Tempered Glass
<b>Raw Lumens</b>	• 4,800 Lumens	<b>Dimensions</b>	• 105mm L x 125mm H x 75mm D
<b>Effective Lumens</b>	• 4,000 Lumens	<b>Vibration Rating</b>	• 15.6 G
<b>LED Count</b>	• 4 x 10W High Powered Osram P9 LED's	<b>Shock Rating</b>	• 60 G